

Fig.1

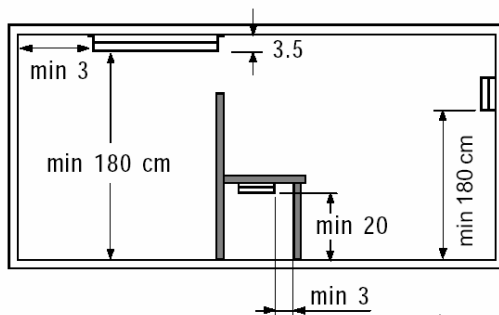


Fig.2

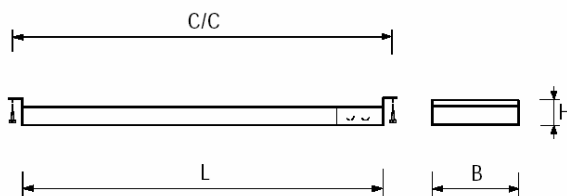
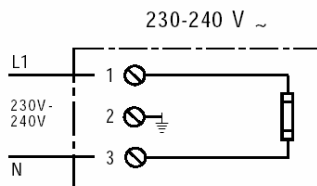


Fig.3



Energoline

Energoline EL, 230V-240V~ ceiling heater/bench heater is approved in splash proof (IP44) design in wet and dry areas, for permanent installation by an authorized electrician, via all-pole switches.

1. Energoline may be fitted under benches, (i.e. churches, waiting rooms etc.), onto ceilings or walls. For lowest fitting heights and minimum distance in cm to combustible items, see Fig.1.
2. Energoline has built-in fixings on the ends for fitting against benches, ceilings and walls. Use minimum 2 screws on each side to secure the heater. For fixing distance C/C, see Fig.2.
3. Connect the cable to the terminal 4mm² in the junction box in accordance to the wiring diagram, see Fig.3. Use cable size 6mm-12mm. Cut carefully off a suitable part of the cable leads, so it fits tight around the cable.
4. Aerosols, paint, solvents, dust and filth etc. may adhere to the heater and cause some discolouration. The performance of the heater remains the same. Switch off the Energoline while painting and drying.

Warning! This appliance must be earthed.

L = Length

B = Width

H = Depth

Type	230-240 V~	cm				kg
		L	B	H	C/C	
EL 200	150-160 W	100	21	3.5	99	3.0
EL 300	220-240 W	148	21	3.5	147	4.5